



2019
CENTURY

B · O · A · T · S

DEMAND IT ALL™



FISHABILITY



LUXURY



RELIABILITY



CENTURY BOATS

Welcome to Century Boats – a classic American boat company. Established in 1926, Century Boats has created high-quality vessels for more than 90 years. From our earliest days of crafting enduring and durable wooden sportcraft to the high-performance offshore fishing machines of today, Century Boats has always invited you to Demand It All.

Century Boat Company was founded in Milwaukee, Wis. in 1926 and moved its headquarters and production facilities to Manistee, Mich. in 1928 where it remained for nearly 60 years. In the early 1960s, Century Boats made several important innovative strides – the company introduced its 45-foot motoryacht and its first jet-powered boat. In the late 1960s, Century Boats transitioned from producing wooden boats to fiberglass hulls. Then in 1983 the company underwent another significant move when it relocated from Michigan to Panama City, Fla.

Yamaha Motor Corp. entered the Century Boats timeline when it acquired the brand in 1995. Under the new company name, C&C Manufacturing, Century Boats would grow to produce more than 1,100 boats per year from this facility... until Yamaha Motor Corp. closed the company in December 2009.

The future of the brand and its legacy remained uncertain for nearly three years – until the Lucius family acquired Century Boats from Yamaha Motor Corp. in 2012.

Today, Century Boats makes its home in Zephyrhills, Fla. With strong roots in Florida boat building, the Lucius family is committed to ensuring that the Century Boats brand lives on. It's a brand that embodies true fishability, luxury and reliability – and passion for the brand is evident in every boat that Century produces. At Century Boats, today is not business as usual. We approach each new boat and innovative model with an eye on the customer's needs. As a privately-held, family-owned company we believe in transparency and communication with our customers, dealers and future owners.

Technology, craftsmanship and a deep commitment to excellence are indelibly ingrained into every boat that leaves the Century Boats facility. We're reviving the brand and guiding the future of hardcore fishing machines. It's a simple philosophy that sees luxury and performance unite across every model. From our dual console Resorter to a full lineup of center consoles, walkarounds and expresses – Century Boats encourages you to Demand It All.

EST. 1926

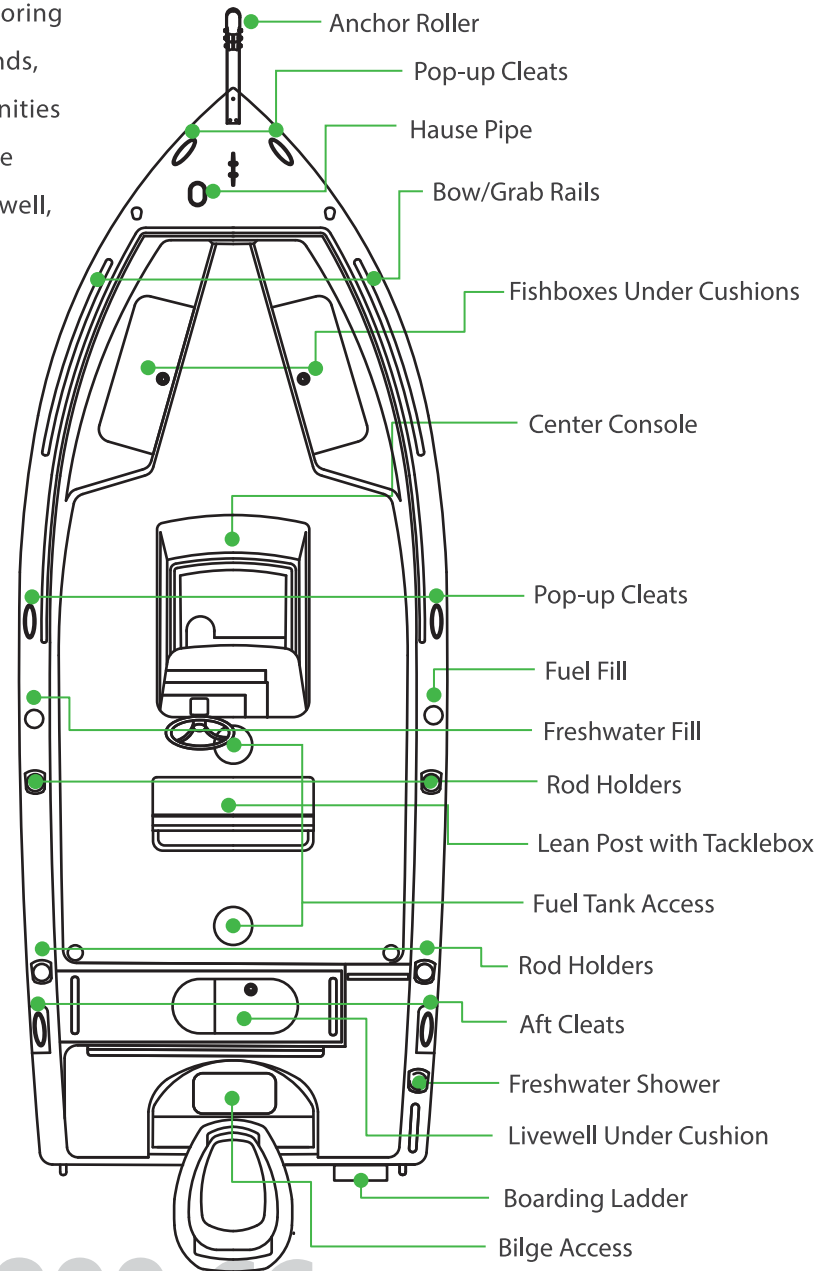


MEMORIES

MAKING MEMORIES
 ...one boat ride at a time. When you set out on your 2200 CC, you're sure to create lasting memories every trip. Whether you're exploring pristine islands with the family or chasing trophy fish with friends, the 2200 CC gets you there and back safely – and in style. Amenities like its enclosed head, ample seating and freshwater shower are complimented by hardcore fishing features like an aerated livewell, t-top with rocket launchers and tackle box: all standard.



2200 CC



2200 CC

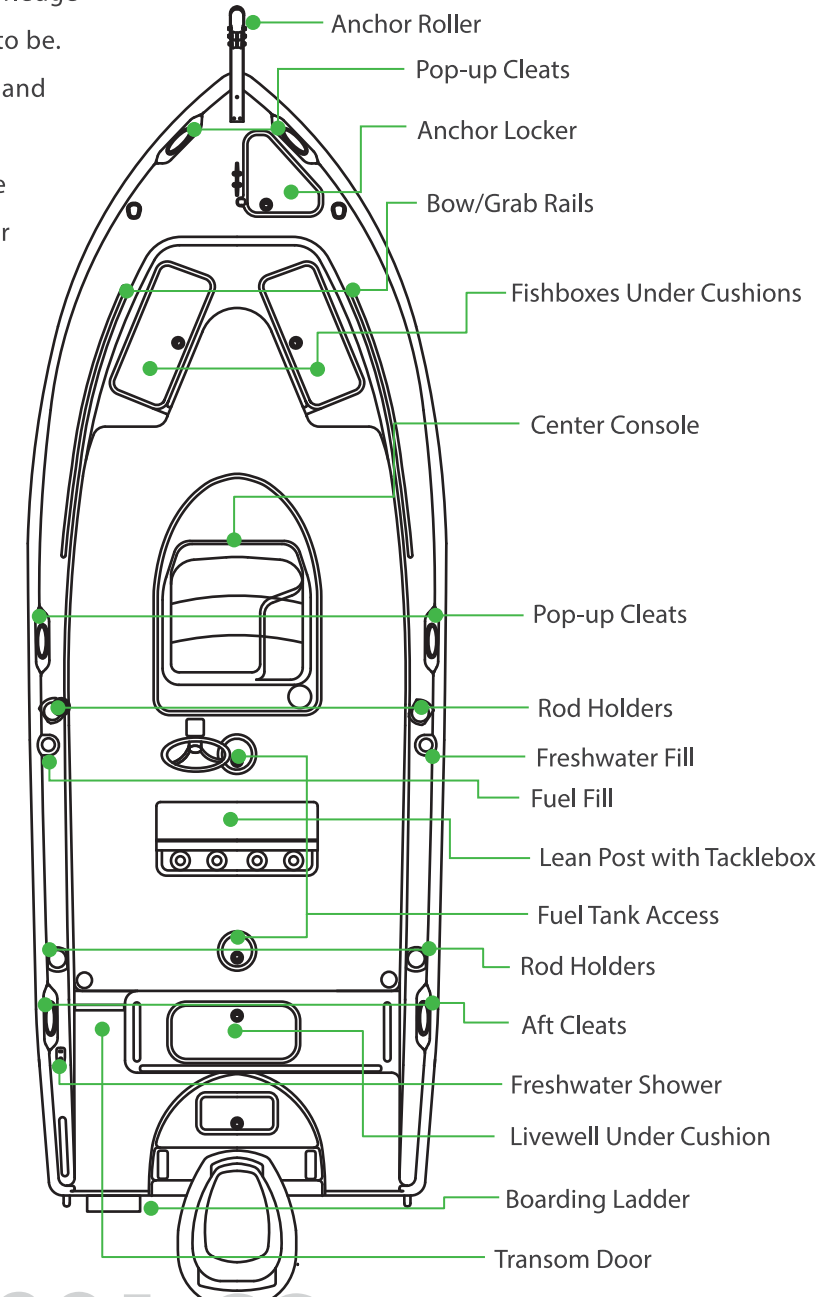
Making **MEMORIES...**
one TRIP at a TIME

Length	22'
Beam	8' 6"
Draft	17"
Weight w/out Engine	3500 lbs
Fuel Capacity	100 gal
Deadrise at Transom	20 deg
Max Horsepower	250 hp
Bridge Clearance w/ Top	8' 6"

FLAGSHIP

2301 CC

Set out on the flagship of our single-engine fleet with the knowledge and confidence that the 2301 CC will get you where you need to be. The 2301 CC delivers a strong, sturdy ride to reach far offshore and provides features and amenities to get you there in complete comfort: including wrap-around bow seating, integrated tackle storage, fiberglass hard-top with rocket launchers and spreader lights, and so much more.



No such **THING** as a **LAZY** day on the **WATER**

Length	23'
Beam	8' 6"
Draft	16"
Weight w/out Engine	4150 lbs
Fuel Capacity	130 gal
Deadrise at Transom	20 deg
Max Horsepower	350 hp
Bridge Clearance w/ Top	8' 6"

2301 CC

2600 CC



It craves **BIG WATER**
almost as much as **YOU** *do*



FISHABILITY



LUXURY



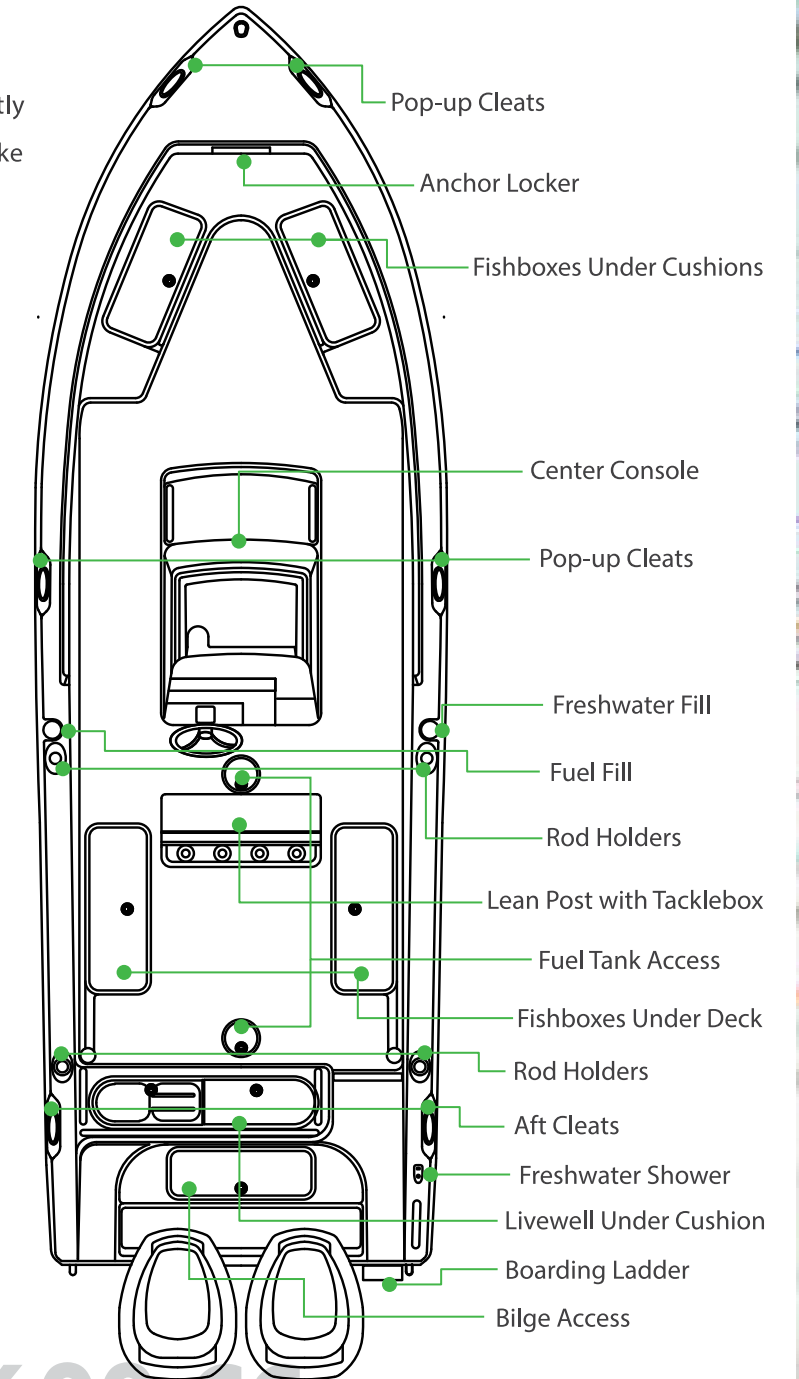
RELIABILITY

BIG WATER CAPABILITY

The 2600 CC simply craves big water. And with its twin Yamaha outboards, it can't wait to get there. Step onboard and you'll instantly sense its big water capability. You'll also be at home with features like enclosed head, wrap-around bow seating and a captain's chair tailored to all-day adventure. Be sure to come ready to fish as you discover the 2600 CC's large insulated fishboxes, aerated livewell, ample rod storage, fiberglass top, rocket launchers and more.



CENTER CONSOLE



2600 CC

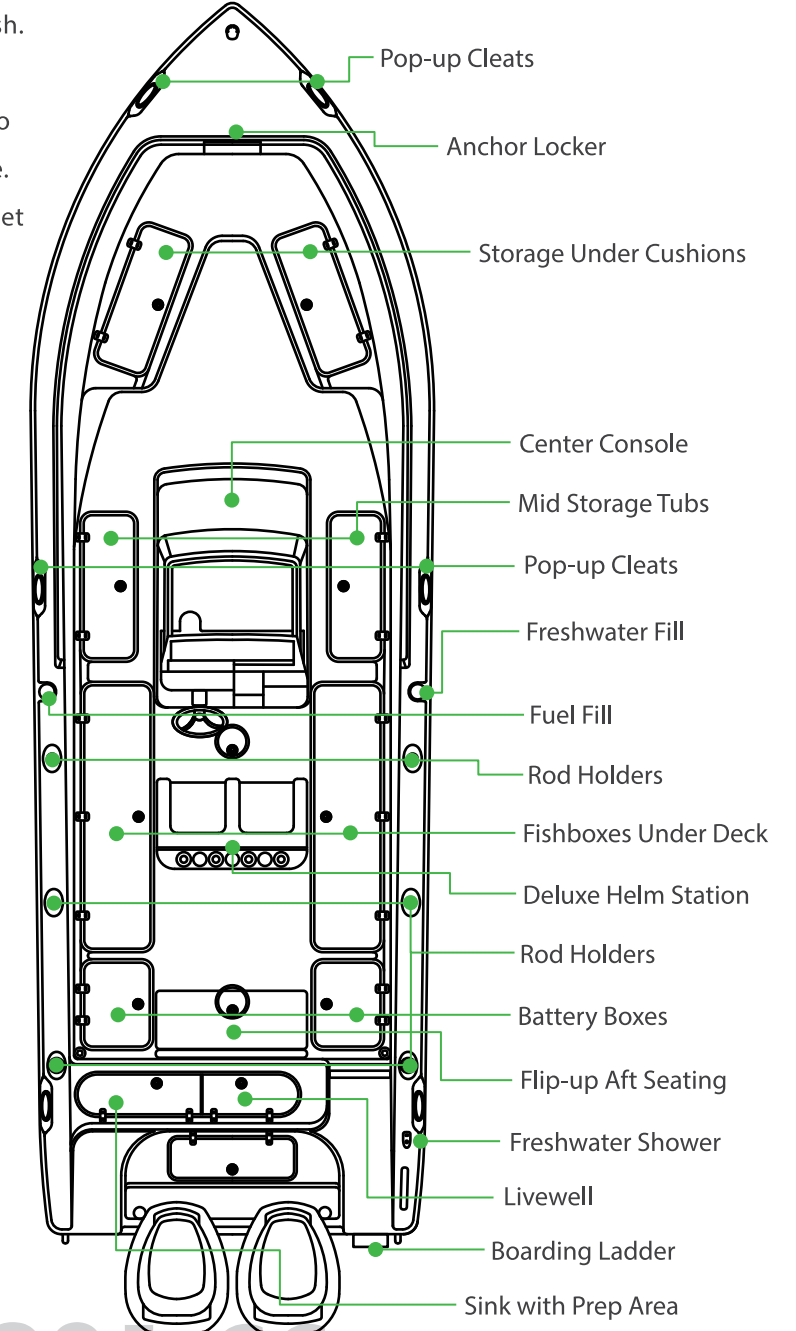
Length	26'
Beam	8' 6"
Draft	15"
Weight w/out Engine	5800 lbs
Fuel Capacity	184 gal
Deadrise at Transom	20 deg
Max Horsepower	450 hp
Bridge Clearance w/ Top	8' 6"



HARDCORE FISHING

Make no mistake, when you step onto the 2901 CC it's time to fish. Built to bring home trophies from waters over the horizon, the 2901 CC means business. And with plenty of seating from bow to stern, your friends will certainly want to join in on the adventure. When it's time to reach farther, the amenities she provides will get you there in comfort: enclosed head, wrap-around bow seating, freshwater shower, fiberglass Frigid Rigid cooler and more.

2901 CC



2901 CC

Length	29'
Beam	9' 6"
Draft	22"
Weight w/out Engine	7000 lbs
Fuel Capacity	280 gal
Deadrise at Transom	23 deg
Max Horsepower	700 hp
Bridge Clearance w/ Top	8' 6"

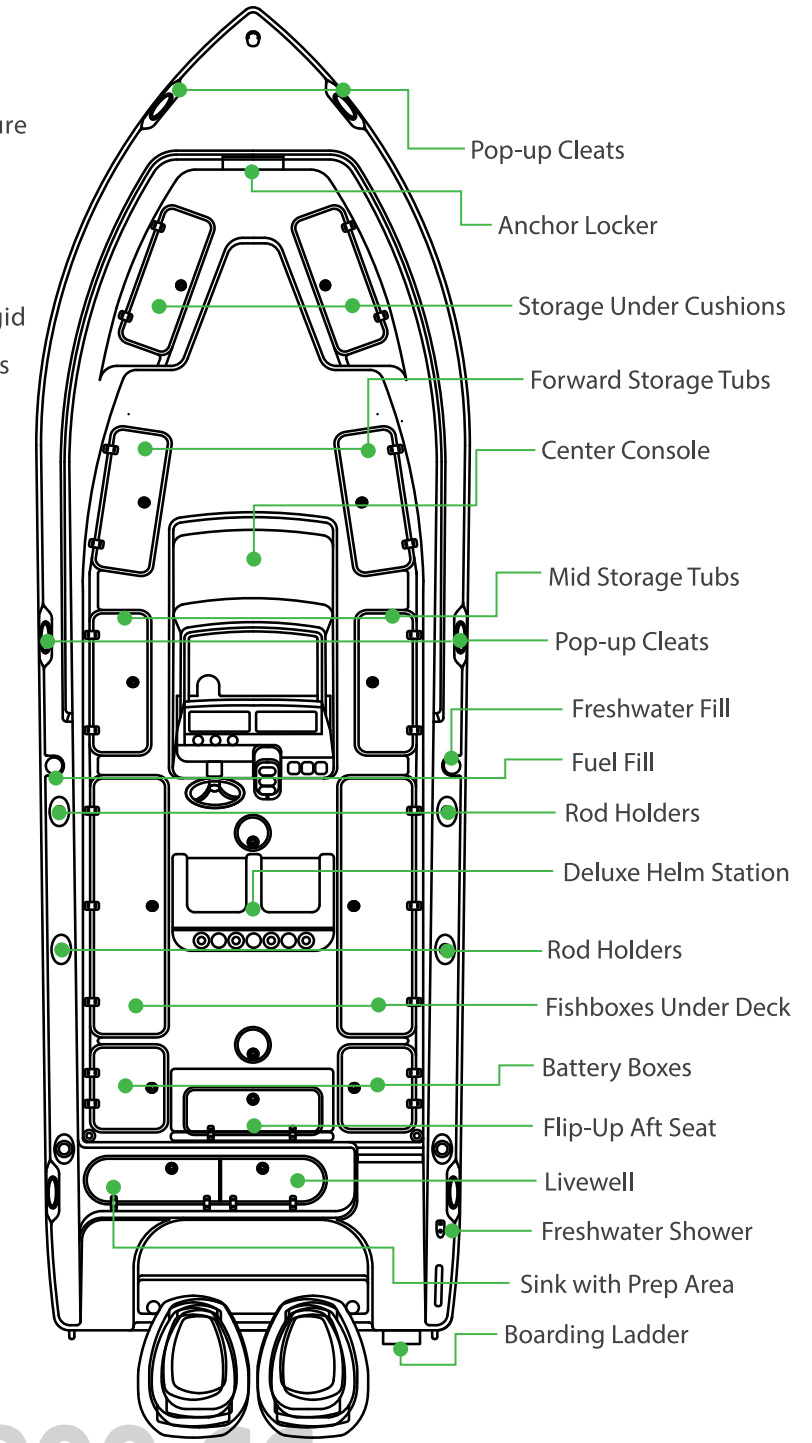
HARDCORE FISHING

meets Luxury and Comfort

EXPLORE

EXPLORE NEW HORIZONS

At 32 feet in length with a 10' 6" beam, the 3200 CC is loaded with performance fishing features designed for tournament and pleasure anglers alike – plus plenty of luxury amenities for entertaining. Fishing accessories include an oversized livewell, lockable rod storage, and large fishboxes forward and aft. For your guests, the 3200 CC offers an enclosed head, forward-facing bow seating, Frigid Rigid fiberglass cooler, and a bow entertainment table that creates a true social center.



Conversation STARTER

Length	32'
Beam	10' 6"
Draft	20"
Weight w/out Engine	8500 lbs
Fuel Capacity	280 gal
Deadrise at Transom	23 deg
Max Horsepower	700 hp
Bridge Clearance w/ Top	8' 6"

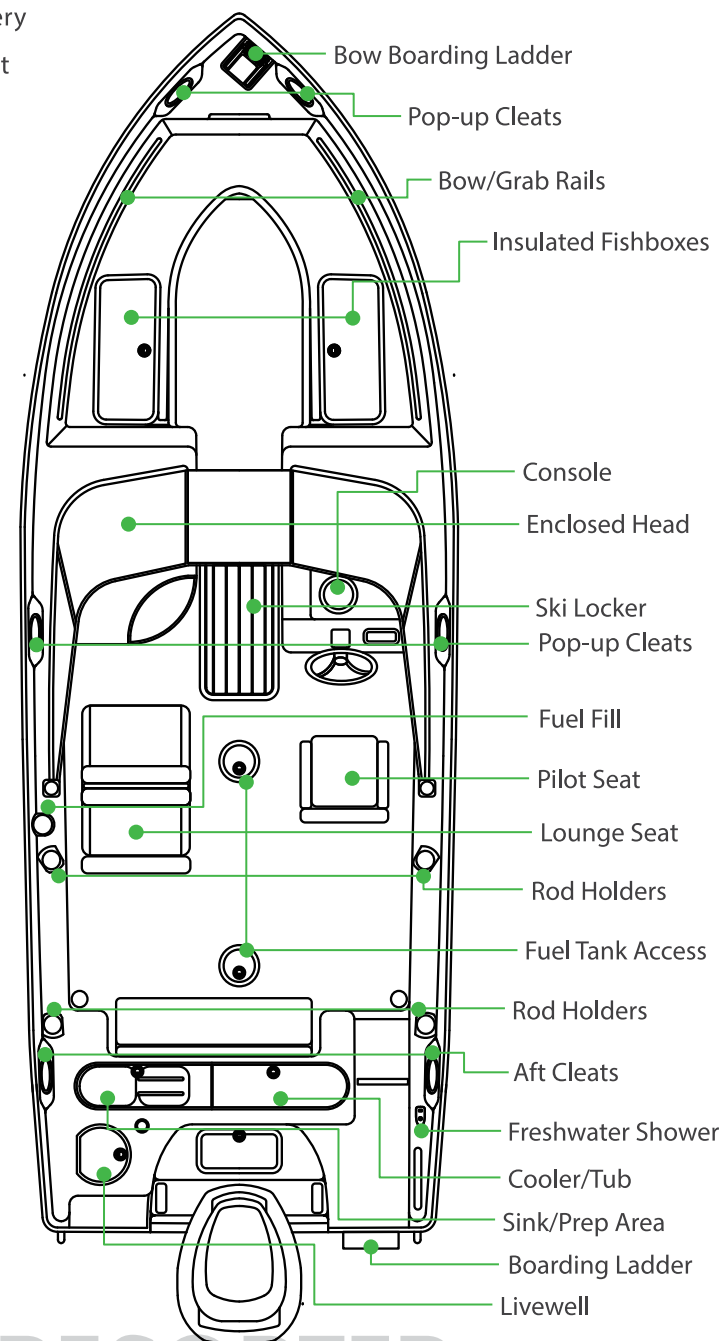
3200 CC

DUAL CONSOLE

VERSATILITY

VERSATILITY. REDEFINED.

Explore where the imagination takes you. Whether it's a day of discovery with the family. Watersports with friends. Or venturing offshore in hunt of a trophy catch – the 24 Resorter is big on versatility. This innovative dual console design is ideal for a variety of on-the-water activities. Features include an enclosed head, multi-positional passenger lounge seat, bow seating, over-insulated fishboxes, large livewell and boarding ladders forward and aft.



Length	23' 9"
Beam	8' 6"
Draft	15"
Weight w/out Engine	4800 lbs
Fuel Capacity	162 gal
Deadrise at Transom	20 deg
Max Horsepower	400 hp
Bridge Clearance w/ Top	101"

24 RESORTER



Versatility.
REDEFINED.

24 RESORTER



2600 WA



Where comfort and **STYLE** meet **SPORTY** sophistication



FISHABILITY



LUXURY



RELIABILITY

WEEKEND

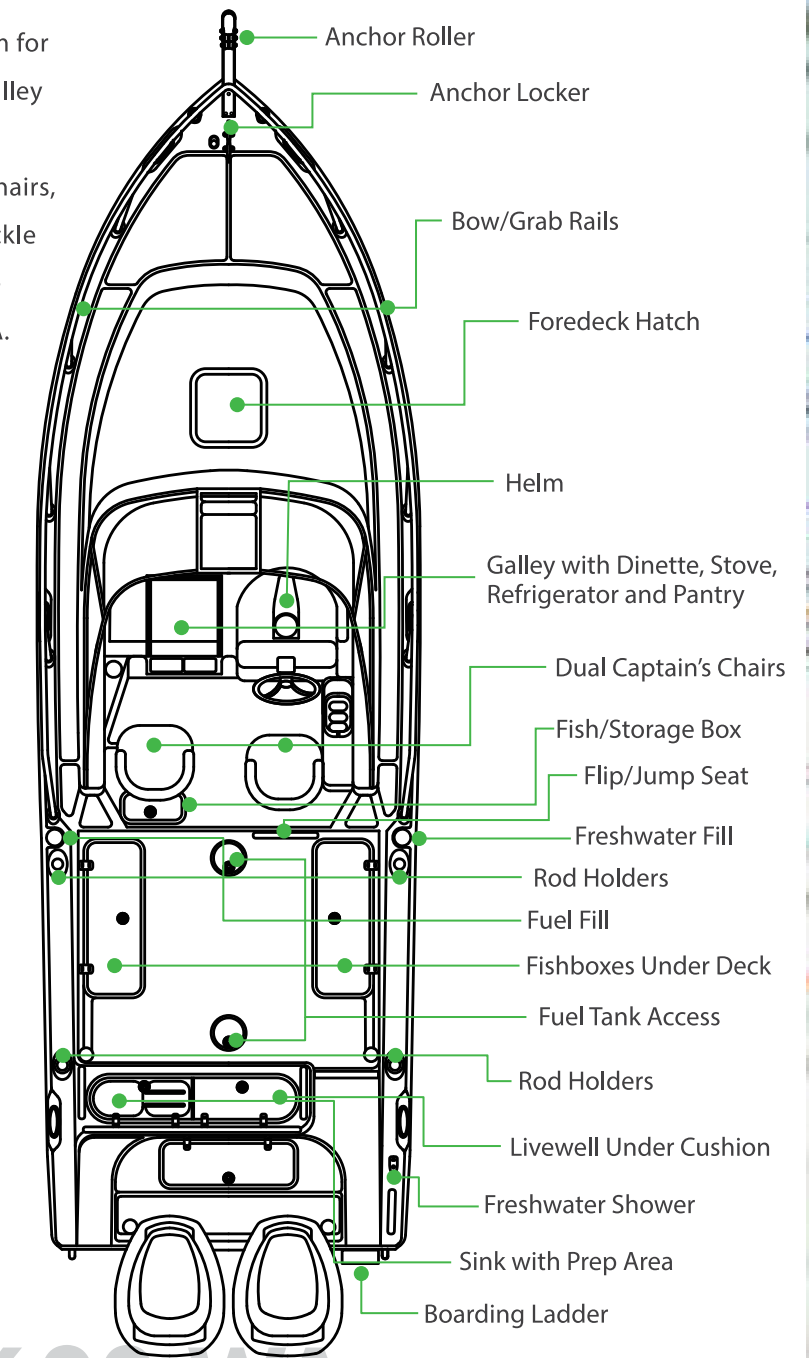
EXTEND THE WEEKEND

A quick peek downstairs reveals a complete cabin with ample room for cooking, entertaining, sleeping and more. The cabin offers a full galley and ample V-berth to provide comfort day and night. On deck, the fishing action heats up. Fishing features include deluxe captain's chairs, fiberglass hard-top with lights and rocket launchers, integrated tackle storage, insulated fishboxes, aerated livewell and more. Extend the weekend in comfort and sporty sophistication aboard the 2600 WA.



Length	26'
Beam	8' 6"
Draft	15"
Weight w/out Engine	5800 lbs
Fuel Capacity	138 gal
Deadrise at Transom	20 deg
Max Horsepower	450 hp
Bridge Clearance w/ Top	9' 3"

WALKAROUND



2600 WA



30 EXPRESS



Packed with **FEATURES**
and **PERFORMANCE**



FISHABILITY



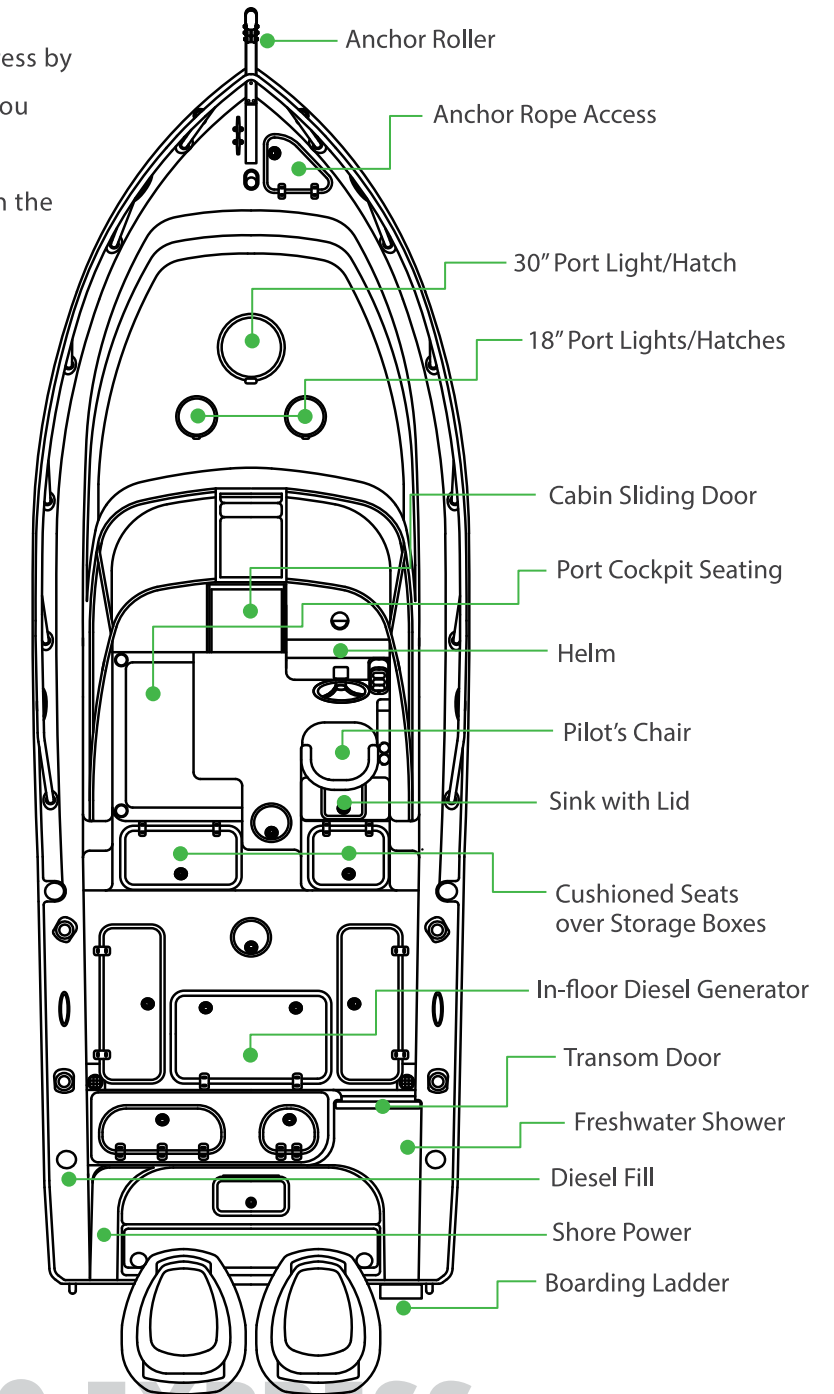
LUXURY



RELIABILITY

ADVENTURE AWAITS

Explore the seas with performance and confidence. The 30 Express by Century Boats is designed to deliver the comfort and features you demand for an extended trip offshore chasing the big ones... or cruising the river in stylish serenity. The 30 Express delivers with the amenities and luxury you need for casual entertaining or action-packed overnight excursions.



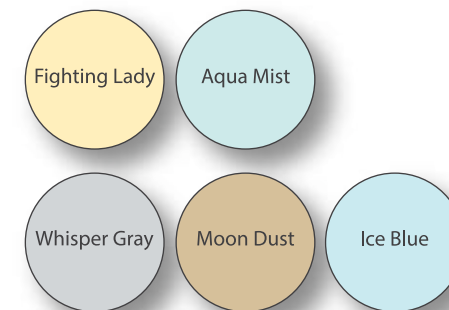
30 EXPRESS

Length	30' 6"
Beam	10' 9"
Draft	27"
Weight w/out Engine	10422 lbs
Fuel Capacity	280 gal
Deadrise at Transom	21.5 deg
Max Horsepower	700 hp
Bridge Clearance w/ Top	8' 7"

AVAILABLE FEATURES	CENTER CONSOLE					DC	WA	EXPRESS			
	S standard	O option	- NA	2200 CC	2301 CC	2600 CC	2901 CC	3200 CC	RESORTER	2600 WA	30 EXPRESS
Air Conditioner (Heats & Cools)	-	-	-	-	-	-	-	-	-	O	S
Anchor – Roller Chute	S	S	S	S	S	S	S	S	-	S	S
Baitwell – Aerated	S	S	S	S	S	S	S	S	S	S	S
Bow Bolster & Bow Cushion	S	S	S	S	S	S	S	S	-	-	-
Bow Rails	O	S	S	-	-	-	S	S	S	S	S
Bow Table with Stand	O	O	O	S	S	S	S	S	-	-	-
Cabin – Interior Package	-	-	-	-	-	-	-	-	-	-	S
Canvas Enclosure – Back (3 piece)	-	-	-	-	-	-	-	-	-	O	O
Canvas Enclosure – Hard Top	-	-	-	-	-	-	-	-	O	O	O
Cleats – Pull Up	S	S	S	S	S	S	S	S	S	S	S
Compass – Ritchie	S	S	S	S	S	S	S	S	S	S	S
Compression Latches	S	S	S	S	S	S	S	S	S	S	S
Cooler – Insulated	S	S	S	S	S	S	S	S	S	S	S
Downrigger	-	-	-	O	O	O	O	O	-	-	O
Electric – Battery Charger 2 Bank	O	S	-	-	-	-	S	S	-	-	-
Electric – Battery Charger 4 Bank	-	-	S	S	S	S	S	S	-	S	S
Electric – Dual Battery Management System	S	S	-	-	-	-	S	S	-	-	-
Electric – Quad Battery Management System	-	-	S	S	S	S	S	S	-	-	S
Electric – Shore Power	-	-	-	-	-	-	-	-	-	-	S
Electronics – Factory Installed	O	O	O	O	O	O	O	O	O	O	O
Freshwater – Sink	-	-	-	S	S	S	S	S	S	S	S
Freshwater – Transom Shower	S	S	S	S	S	S	S	S	S	S	S
Gauges – Yamaha	S	S	S	S	S	S	S	S	S	S	S
Generator – 4kw Panda Diesel	-	-	-	-	-	-	-	-	-	-	S
Head – Electric, Macerator, Holding Tank	-	O	S	S	S	S	S	S	S	S	S
Head – Porta Potty Pump Out w/ Deck Fitting	S	S	-	-	-	-	-	-	-	-	-
Hinges – Friction Hinges	S	S	S	S	S	S	S	S	S	S	S
Hull Color – White	S	S	S	S	S	S	S	S	S	S	S
Hull Colors – Optional Deluxe Colors	O	O	O	O	O	O	O	O	O	O	O
Hull Colors – Side Stripe	O	O	O	O	O	O	O	O	O	O	O
Ladder	S	S	S	S	S	S	S	S	S	S	S
Ladder – Bow, Beach Boarding	-	-	-	-	-	-	S	S	-	-	-
Light – Spotlight LED	O	O	O	O	O	O	O	O	O	O	O
Light – Underwater Lumitec LED	O	O	O	O	O	O	O	O	O	O	O
Livewell Windows on Vertical Wall	-	-	-	O	O	O	O	O	-	-	-
Mat – Anti-fatigue with Century Logo	O	O	O	O	O	O	O	O	O	O	O
Microwave	-	-	-	-	-	-	-	-	-	-	S
Misters – Freshwater System in Hard Top	O	O	O	O	O	O	O	O	O	O	O
Outriggers – GEMLUX Premium Carbon Fiber	-	-	O	O	O	O	O	O	-	O	-
Outriggers – TACO Grand Slam 280	O	O	O	O	O	O	O	O	O	O	O
Outriggers – TACO Grand Slam 380	O	O	O	O	O	O	O	O	O	O	O
Powder Coat	O	S	S	S	S	S	S	S	S	S	S
Refrigerator	-	-	-	-	-	-	-	-	-	S	S
Rod Holder/Cup Holder Units (2)	S	S	S	S	S	S	S	S	S	S	S
Rod Boxes/Storage	S	S	S	S	S	S	S	S	S	S	S
Rod Holder – Transom Mount	-	-	-	O	O	O	O	O	-	-	O
Safety – Fire Extinguisher Box	S	S	S	S	S	S	S	S	S	S	-
SeaDek – Precision Patterns, Factory Installed	O	O	O	O	O	O	O	O	O	O	O
Seating – Lean Post w/ Tackle Drawers, Cooler	S	S	S	-	-	-	-	-	-	-	-
Seating – Captain's & Lounge	-	-	-	-	-	-	S	S	-	-	-
Seating – Deluxe Helm Station	-	-	-	S	S	S	S	S	-	-	-

AVAILABLE FEATURES	CENTER CONSOLE					DC	WA	EXPRESS			
	S standard	O option	- NA	2200 CC	2301 CC	2600 CC	2901 CC	3200 CC	RESORTER	2600 WA	30 EXPRESS
Seating – Dual Bolster Helm Seat	-	O	O	-	-	-	-	-	-	-	-
Seating – Forward-facing Bow Backrests	O	O	O	S	S	S	S	S	-	-	-
Seating – Ladder Back, Deluxe Bolster Captain's	-	-	-	-	-	-	-	-	-	S	-
Seating – Rear	S	S	S	-	-	-	S	S	S	S	S
Seating – Rear Cushion and Backrest	-	-	-	-	-	O	-	-	-	-	-
Seating – Stainless Steel Hideaway Rear Seat	-	-	-	O	O	O	-	-	-	-	-
Seating – Deluxe Captain's Flip-up Bolster Chair	-	-	-	-	-	-	-	-	-	-	S
Shipping – Cover or Shrink Wrap	S	S	S	S	S	S	S	S	S	S	S
Steering – Autopilot	-	-	-	-	-	-	-	-	-	-	O
Steering – Edson Wheel	O	O	O	S	S	S	O	O	O	O	S
Steering – Hydraulic/Tilt	S	S	S	-	-	-	S	S	S	S	-
Steering – Optimus Electronic Steering	-	-	-	S	S	S	-	-	-	-	S
Steering – Optimus Joystick	-	-	-	O	O	O	-	-	-	-	O
Steering – Power Steering	-	O	O	-	-	-	O	O	O	O	-
Steering – Yamaha Helm Master	-	-	O	O	O	O	-	-	-	O	O
Stereo – Fusion Deck, Wet Sounds Speakers, Amp	S	S	S	-	-	-	S	S	S	S	S
Stereo – Wet Sounds MC, Speakers, Amp	-	-	-	S	S	S	-	-	-	-	S
Stereo – Wet Sounds Package Upgrade	O	O	O	O	O	O	O	O	O	O	O
Storage – Fish Boxes/Storage w/ Diaphragm Pump	-	-	S	S	S	S	-	-	-	-	S
Stove	-	-	-	-	-	-	-	-	-	S	S
Tackle Box	S	S	S	S	S	S	S	S	S	S	S
T-Top – Canvas, E Box, Spreader Lights, Rod Holders	S	-	-	-	-	-	-	-	-	-	-
T-Top – Fiberglass, Spreader Lights, Rod Holders	O	S	S	S	S	S	O	S	S	S	S
Top – Bimini, Stainless Steel	-	-	-	-	-	-	O	-	-	-	-
Top – Hard Top Color Treatment	O	O	O	O	O	O	O	O	O	O	O
Tower with Dual Helm Station	-	-	-	-	-	-	-	-	-	-	O
Trim Tabs with Lighted Indicator	O	S	S	S	S	S	S	S	S	S	S
Upholstery – Bow Filler	O	O	O	O	O	O	O	O	O	-	-
Upholstery – Nantucket Sand or Sterling w/ GT Pkg	S	S	S	S	S	S	S	S	S	S	S
Washdown (raw-water)	S	S	S	S	S	S	S	S	S	S	S
Water Heater	-	-	-	-	-	-	-	-	-	-	S
Windlass – SS Anchor, Rope and Chain	O	O	O	S	S	S	S	S	S	S	S
Windshield – Powder Coat	-	-	-	-	-	-	S	S	S	S	S
Windshield Wipers – Port & Starboard	-	-	-	-	-	-	-	-	-	-	O

OPTIONAL COLORS



DELUXE OPTIONAL COLORS

